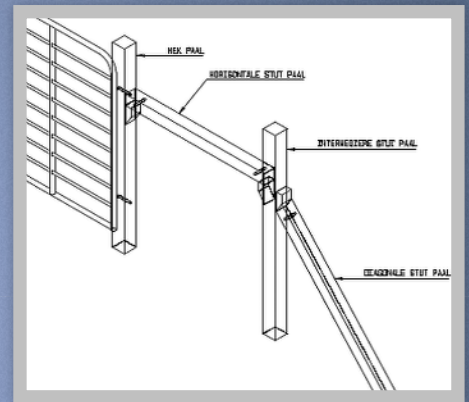
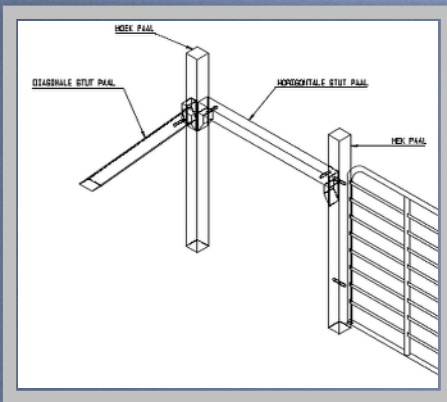




Fencing Solutions

Precast Concrete Poles



Why use concrete poles instead of traditional ways?

- Can withstand veld fires
- Does not get stolen easily
- No need to replace often
- Strong and durable
- Does not rust like steel poles

Call Now 051-433 1050

Manufacturers of Concrete Storm Water Pipes, Culverts, Manholes, Kerbs, Stock Troughs, Palisade Fencing, any other special product to your design